



**24th Optoelectronics and Communications Conference /  
International Conference on Photonics in Switching and Computing 2019 (OECC/PSC 2019)**

## **Sponsorship Prospectus**

Dear Valued Sponsor & Exhibitor,

This prospectus outlines the sponsorship and exhibition opportunities available at the 24th Optoelectronics and Communications Conference / International Conference on Photonics in Switching and Computing 2019. This Conference will be held for 5 days at the Fukuoka International Congress Center, July 7 - 11, 2019. We are pleased to announce that these opportunities can be utilized as a place of promoting the products and as part of the public relation activities of your company.

24th Optoelectronics and Communications Conference /  
International Conference on Photonics in Switching and Computing 2019 (OECC/PSC 2019)

General Co-chairs

***Masatoshi Suzuki***

***Kiichi Hamamoto***

***Hiroaki Harai***

### **Conference Overview**

Conference name: 24th Optoelectronics and Communications Conference /  
International Conference on Photonics in Switching and Computing 2019 (OECC/PSC 2019)

Website: <https://www.oeccpsc2019.org/index.html>

Date: July 7-11, 2019

Venue: Fukuoka International Congress Center, Fukuoka, Japan

Organized by: OECC/PSC 2019 Organizing Committee

Co-sponsored by: IEICE Communications Society, IEICE Electronics Society

Technical Co-sponsored by: The Optical Society (OSA), IEEE Photonics Society

In corporation with: Optoelectronics Industry and Technology Development Association (OITDA)  
Communications and Information network Association of Japan (CIAJ)  
Photonic Internet Forum (PIF)  
Japan Society of Applied Physics (JSAP)  
Institute of Electrical Engineers of Japan (IEEJ)  
Institute of Image Information and Television Engineers (ITE)  
Information Processing Society of Japan (IPSJ)  
Laser Society of Japan (LSJ)  
Society of Instrument and Control Engineers (SICE)  
The Optical Society of Japan (OSJ)  
IEEE Photonics Society Japan Chapter  
IEEE Communications Society Japan Chapter

Expected Number of Participants: 600 persons

Country of Participants:

Australia, Canada, China, Denmark, France, Germany, Indonesia, Italy, Japan,  
Netherlands, Korea, Malaysia, Singapore, Sweden, Switzerland, Taiwan, UK, USA, etc.

Official Language: English



## --- Sponsorship Information---

### Package sponsors

There are 3 categories in package sponsors: Gold, Silver and Bronze.

Please check below for the benefits.

		(Rate Incl. tax)		
		Gold	Silver	Bronze
		JPY 500,000	JPY 300,000	JPY 180,000
		Limited to 2 sponsors	Limited to 5 sponsors	Limited to 6 sponsors
1	Complimentary registration for conference	Up to 2 representatives	Up to 1 representative	—
2	Complimentary registration for banquet	Up to 2 representatives	Up to 1 representative	—
3	Exhibition booth	2 booths	1 booth	Table exhibition
4	Logo printed on Conference Program Book and posted on official website	Large size	Medium size	Small size
5	Advertisement in Conference Program Book	—	1 page (Back matter, Color)	1 page (Back matter, B/W)
6	Advertisement at power supply area	○	—	—

<Notes>

- \* Please send the company logo (in JPEG, ai or ps format) together with this application form.
- \* Please note that layout and size of logo on the conference materials will be determined by the organizing committee.
- \* Please note that there will not be refund or reduction of sponsor fee in case you will not use any items of sponsor benefits at your own convenience.

#### Details of benefits:

##### **1. Complimentary registration for conference**

Applied to: gold and silver sponsors

Sponsor representative(s) get complimentary registration to the conference.  
Registration process will be informed later.

##### **2. Complimentary registration for banquet**

Applied to: gold and silver sponsors

Sponsor representative(s) get complimentary registration to the banquet to be held on July 10, (Wed.) 2019.  
Registration process will be informed later.

##### **3. Exhibition booth/Table exhibition**

※Please specify on the Sponsor Application Form whether a booth is required or not.  
The following basic booth(s) will be provided without any charge.

Applied to:

3-1. Gold/silver sponsors: Shell Scheme Booth 4m<sup>2</sup> (2m x 2m)/booth

**【Items included in a shell scheme booth】**

Back panel: w 1980mm x h 2400mm  
Side panel: w 990mm x h 2400mm (except a corner booth)  
Fascia board  
Company name board: 1 per 1 company (in English same font)  
Fluorescent light: 1 per 1 booth  
Table: 1 per 1 booth  
Chair: 2 per 1 booth  
Electric supply (100V / 1kW) with 2 outlets: 1 per 1 booth

3-2. Bronze sponsors: Table Exhibition: 2m<sup>2</sup> (2m x 1m)/booth

**【Items included in a table booth】**

Back panel: w 1980mm x h 2400mm  
Company name signage: 1 per 1 company (in English, black block letters)  
Table: 1 per 1 booth

**4. Logo printed on Conference Program Book and posted on official website**

Applied to: all package sponsors

Sponsor's logo will be printed in the Conference Program Book, posted on the OECC/PSC 2019 official website with link to sponsor's designated website.

Logos will be posted in order of gold, silver and bronze sponsor, and size of logo varies depending on sponsor's level. Allocation of logo placement in the same package will be decided by the OECC/PSC 2019 organizing committee.

**5. Advertisement in Conference Program Book**

Applied to: silver and bronze sponsors

Sponsor's Ads will be printed in the Conference Program Book.

**6. Advertisement at power supply area**

Applied to: gold sponsor

Sponsor's Ads will be posted at power supply area in the conference venue.

## Item sponsors / Exhibition information

There are 11 categories for item sponsors as below. Application together with a package sponsor is also acceptable. Logos of all item sponsors will be placed on the OECC/PSC 2019 official website. Please send the company logo (ai or eps) together with the application form.

			(Rate Includ. tax)
	Items	Fee	Numbers to be accepted
1	Advertisement in Conference Program Book (Outside back cover)	JPY 150,000	Limited to 1 sponsor
2	Advertisement in Conference Program Book (Inside front or back cover)	JPY 90,000	Limited to 2 sponsors
3	Logo printed on body of USB	JPY 250,000	Limited to 2 sponsors
4	Logo printed on body of USB Exclusive sponsor (*1)	Paid in kind/ JPY 500,000	Limited to 1 sponsor
5	Logo printed on congress bag	JPY 100,000	Limited to 5 sponsors
6	Logo printed on congress bag Exclusive sponsor (*1)	Paid in kind/ JPY 500,000	Limited to 1 sponsor
7	Name badge lanyard Exclusive sponsor (*1)	Paid in kind/ JPY 300,000	Limited to 1 sponsor
8	Coffee break	JPY 50,000/time	Limited to 8 sponsors
9	Novelty goods	Paid in kind	—
10	Exhibition booth	JPY 180,000	Limited to 50 booths
11	Table exhibition	JPY 100,000	No limit

\*1: In case we accept an exclusive sponsor first, we will close accepting an application for posting sponsor logo in the same category (first come, first served). We will keep updating sponsor application status on the website, though, please contact the secretariat in advance if you consider sponsorship for USB, congress bag and name badge lanyard.

Please contact the secretariat for details on actual goods delivery time.

### <Detailed description of Sponsor Items>

#### 1~2. Advertisement in Conference Program Book

Sponsor's advertisement will be printed in Conference Program Book to be distributed during the conference period. Please take advantage of this opportunity for introduction/promotion of your state of the art equipment, components or materials.

Fees and page to be published:

1. outside back cover, 1-page, full color

Fee: **JPY150,000 (including tax)** / per 1 company / organization

Number to be accepted: 1 company / organization (first come, first served basis)

2. Inside front or back cover, 1-page, full color

Fee: **JPY90,000 (including tax)** / per 1 company / organization

Number to be accepted: 2 companies / organizations (first come, first served basis)

Circulation: Approx. 600  
Size: A4 size h 297mm x w 210mm

Notes:

- Language: English is highly recommended
- Submission deadline: End of May, 2019
- Please submit an outlined data.
- Please attach an output sample in PDF in case the printing data is not in PDF.
- Size: h 267mm x w 180mm

### 3. Logo printed on body of USB

Sponsor logo will be printed on the body of USB including Technical Digest data that will be distributed to all the participants of the conference.

Fee: **JPY250,000 (including tax)** / per 1 company / organization

Number to be accepted: 2 companies / organizations (first come, first served basis)

Amount: Approx. 600

### 4. Logo printed on body of USB—exclusive sponsor (\*1)

Sponsor logo together with OECC/PSC 2019 logo will be printed on the body of USB including Technical Digest data that will be distributed to all the participants of the conference. There are two choices of sponsorship, either pay in kind (prepare for actual USB with sponsor logo and OECC/PSC 2019 logo printed) or payment of production fee.

Fee: **JPY500,000 (including tax)** for production of USB (N/A for payment in kind)

Number to be accepted: 1 company / organization (first come, first served basis)

*\*1: Please note that the application for exclusive sponsor will be closed in case the application for “3. Logo printed on body of USB” is accepted first.*

#### Details on payment in kind

Desired capacity of USB: 4-8GB

Logo arrangement: Both sponsor logo and OECC/PSC 2019 logo to be printed (either in B/W or full color)

Amount: 600 (in total estimate, may need more than 600)

Delivery date: Early June 2019 (latest)

\* Writing of Technical Digest data will be handled by OECC/PSC 2019.

### 5. Logo printed on congress bag

Sponsor logo will be printed on congress bag that will be distributed to all the participants of the conference.

Fee: **JPY100,000 (including tax)** / per 1 company / organization

Number to be accepted: 4 companies / organizations (first come, first served basis)

Amount: 600 (in total estimate)

Note: Details of bag design and the size/position of logo will be determined by OECC/PSC 2019 organizing committee.

## 6. Logo printed on congress bag—exclusive sponsor (\*1)

Congress bag will be distributed to all the participants of the conference.

Fee: **JPY400,000 (including tax)** for production of congress bag, N/A for payment in kind

Number to be accepted: 1 company / organization (first come, first served basis)

*\*1: Please note that the application for exclusive sponsor will be closed in case the application for “5. Logo printed on congress bag” is accepted first.*

### Details on payment in kind

Desired specification: large enough to put in A4 size book with sponsor logo and OECC/PSC 2019 logo printed

Amount: 600 (in total estimate, may need more than 600)

Delivery date: July 2019 (directly deliver to Fukuoka International Congress Center)

## 7. Name badge lanyard—exclusive sponsor

Lanyard with name badge will be distributed to all the participants of the conference.

Fee: **JPY300,000 (including tax)** for production of lanyard, N/A for payment in kind

Number to be accepted: 1 company / organization (first come, first served basis)

### Details on payment in kind

Desired specification: lanyard together with badge case large enough to put in standard or larger business card

Amount: 600 (in total estimate, may need more than 600)

Delivery date: Late June 2019

## 8. Coffee break

A signboard with a company logo will be placed at the beverage area during the coffee break.

Fee: **JPY50,000 (including tax)** / per 1 company / organization

Number to be accepted: 8 companies / organizations (1 company/time) (first come, first served basis)

Note: Details of signboard design and the size/position of logo will be determined by OECC/PSC 2019 organizing committee.

## 9. Novelty goods

Please provide novelty goods that will be distributed to all the participants of the congress.

Novelty goods: example; pen, notepad, etc.

Amount: 600 (in total estimate, may need more than 600)

Delivery date: late June 2019

## 10. Exhibition (Shell Scheme Booth)

Exhibition will be held at the multi-purpose hall located in 2F of Fukuoka International Congress Center. Please take advantage of this opportunity for introduction/promotion of your state of the art equipment, components or materials.

Fee: **JPY180,000 (including tax)** / per booth

Number to be accepted: 50 booths (first come, first served basis)

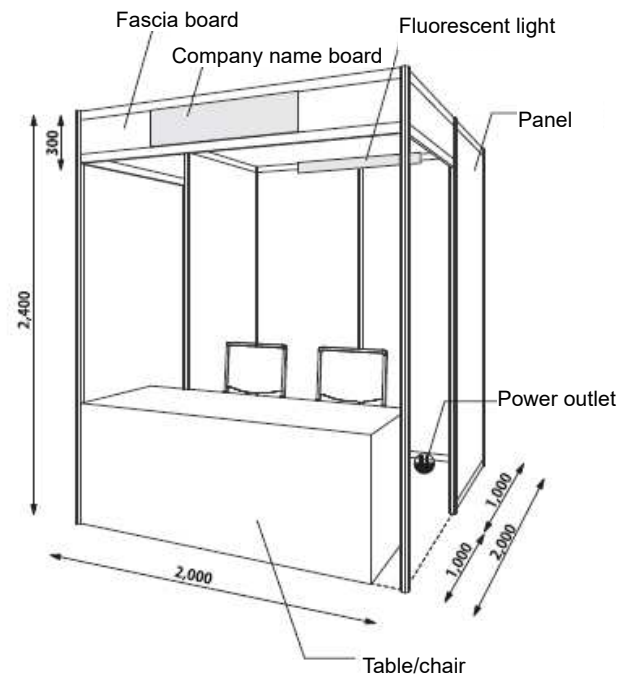
Schedule (tentative):

Mon. July 8	09:00-12:00	Move-in
	12:00-16:00	Exhibition
Tues. July 9	10:30-16:00	Exhibition
Wed. July 10	10:30-14:00	Exhibition
	14:00-	Move-out

*\*Schedule is subject to change according to the conference program.*

### 【Shell scheme booth specification】

- 1 booth: 4m<sup>2</sup> (2m x 2m) includes:
- Back panel w 1980mm x h 2400mm
- Side panel w 990mm x h 2400mm
- Fascia board
- Company name board (white): 1 per 1 company (in English, black block letters)
- Table: 1 per 1 booth
- Chair: 2 per 1 booth
- Electric Supply (100V / 1kW) with 2 outlets: 1 per 1 booth
- Fluorescent light: 1 per 1 booth



- Conference registration fee is not included in Exhibition fee. Please register on our website if you participate in the Conference.
- Invitation to Get Together Party and Banquet for 1 person each per a booth is included.
- Exhibitor's badge is provided to exhibitors, which is only granted admission to the exhibition area.
- Above all items are included in exhibition fee. We do not reduce exhibition's fee even if you do not use them all nor partial.
- Decorations and exhibits must not exceed a height of 2.5m
- In case you make your original booth rather than use the shell scheme booth, OECC/PS 2019 Secretariat will undertake your booth's arrangement with additional fee.
- Name board with company's logo posted, and/or additional electric power supply will require an additional fee.

### < Note >

- Applying directly to floors carpet, walls and ceilings are prohibited. Carrying exhibits in and out by vehicles is also prohibited. Load capacity: 500kg/ m<sup>2</sup>.
- Exhibitors must make the floor and wall protection in case of bringing in heavy objects.
  - Dimensions of Elevator cars (1) w 2800mm x d 6000mm x h 3300mm
  - (2) w 1800mm x d 2500mm x h 3000mm
- There will be no supply of water, gas and air.
- The exhibitor will be responsible for taking away waste and used materials from the exhibit. If any waste material is left on the site, the exhibitor will be billed for its disposal at a later date.



- Exhibitors shall be responsible for all damages to the venue facilities, buildings or its personnel owing to negligence on the part of themselves or their agents, or for other reasons.

\* Detailed information for exhibiting, such as the schedule of move-in & out, exhibition rules and the rental furniture will be notified in the “Exhibitor’s Manual.”

< **Booth allocation** >

- The booth allocation will be decided by the OECC/PS 2019 Organizing Committee.
- The floor plan will be noticed to the exhibitors together with “Exhibitor’s Manual.”

**11. Exhibition (Table booth)**

Exhibition will be held at the multi-purpose hall located in 2F of Fukuoka International Congress Center. Simple table booth will be provided to display leaflet and poster(s). This is the good way to exhibit for exhibitors who are not able to provide booth attendant.

Fee: **JPY100,000 (including tax)** / per booth

Schedule (tentative):

Mon. July 8	12:00-16:00	Exhibition
Tues. July 9	10:30-16:00	Exhibition
Wed. July 10	10:30-14:00	Exhibition

*\*Schedule is subject to change according to the conference program.*

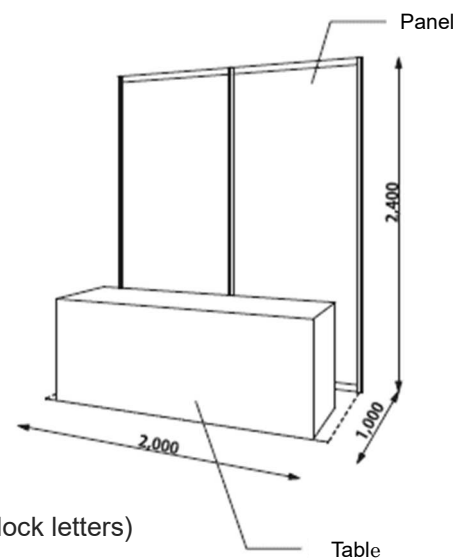
**【Basic booth specification】** 1 booth: 2m<sup>2</sup> (2m x 1m)

Basic booth includes:

Back panel: w 1980mm x h 2400mm

Company name board (White): 1 per 1 company (in English, Black block letters)

Table: 1 per 1 booth



- Registration fee is not included in exhibition fee. Please register on our website if you participate for Conference and Banquet.
- Please contact the secretariat for the assistance of displaying advertising materials on behalf.

## How to apply

**Application form: <https://www.oecpc2019.org/>**

*Please use online application at Sponsorships & Exhibition page.*

**Deadline: Friday, April 12, 2019**

\* Please note that if the number of applications should reach the planned number, no further applications will be accepted, even if it is received before the deadline.

Overseas exhibitors who require a VISA must make arrangements on their own for obtaining the VISA by preparing the required documents, including an invitation letter and a letter of guarantee. Please note that the organizer will NOT issue such documents for any reason.

If you have an agent / representative in Japan, please let us know when you apply.

### Payment

Invoice will be sent once applications have been received. Payment of the exhibition fee should be made by the date as stipulated on the invoice. Payment is to be made by bank transfer in Japanese YEN with transfer charges being paid by the exhibitor.

### Schedule (tentative)

Friday, April 12, 2019:	Application deadline
Late April – June:	Production of signboard and other materials
Sunday, July 7:	Workshop, Get Together Party
Monday, July 8:	Plenary, Technical Session, exhibitor move-in, exhibition
Tuesday, July 9:	Technical Session, exhibition
Wednesday, July 10:	Technical Session, Banquet. exhibition, exhibitor move-out
Thursday, July 11:	Technical Session

### Inquiry and contact

#### **OECC/PSC 2019 Secretariat**

c/o JTB Communication Design, Inc.

Tel: +81-3-5657-0777 Fax: +81-3-3452-8550

Celestine Shiba Mitsui Bldg.

3-23-1, Shiba, Minato-ku, Tokyo 105-8335, Japan

[oeccpsc2019@jtbc.com](mailto:oeccpsc2019@jtbc.com)